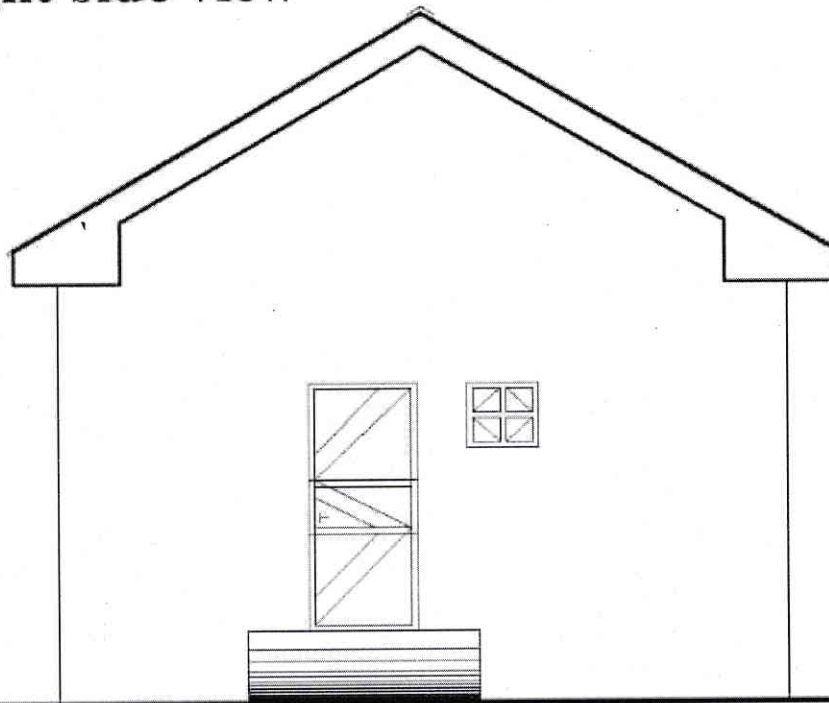
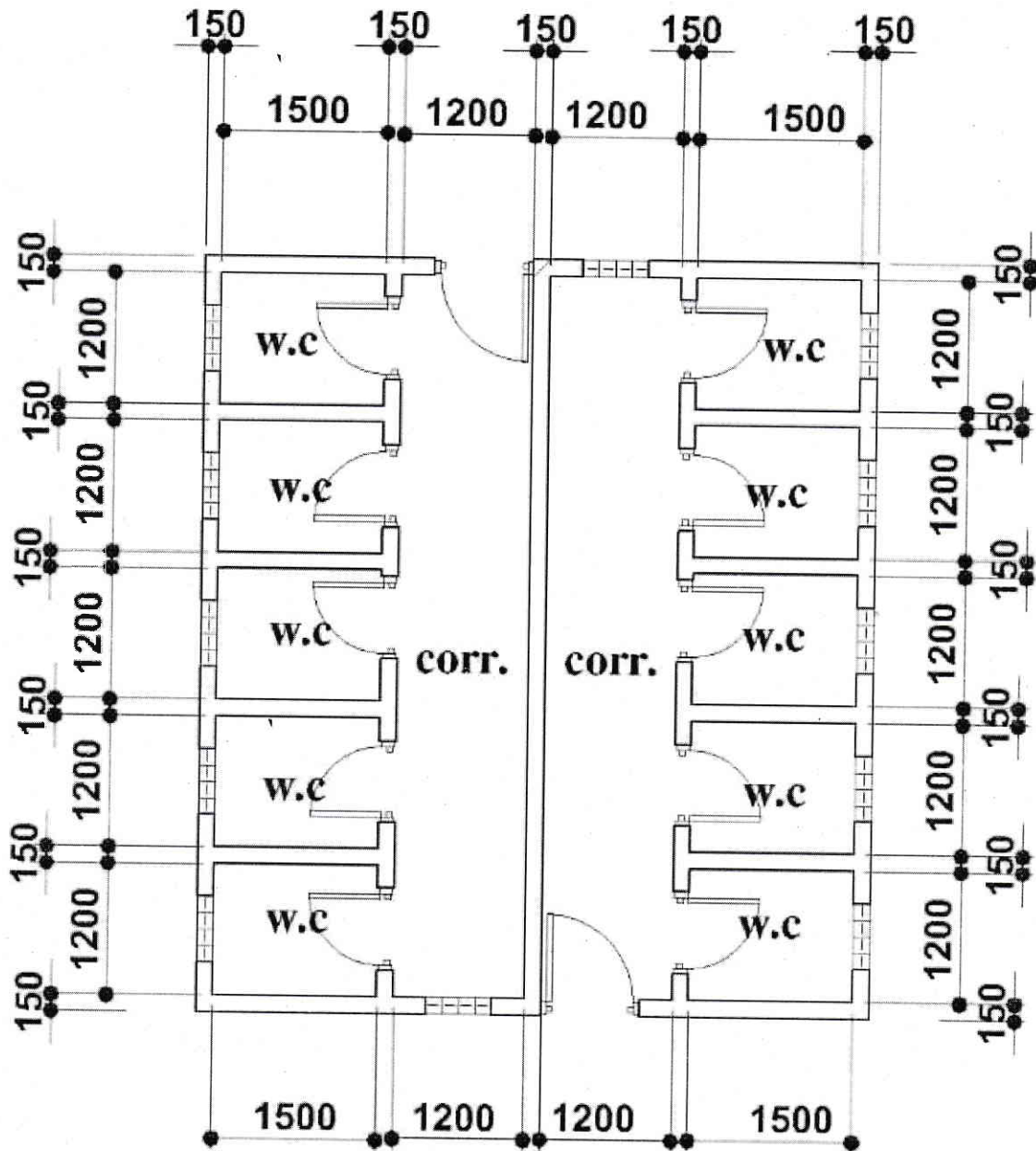


left & right side view



front and back view

BUILDING PLAN DESIGN FOR FIVE UNIT
MACROFLUSH TOILET



ground floor plan